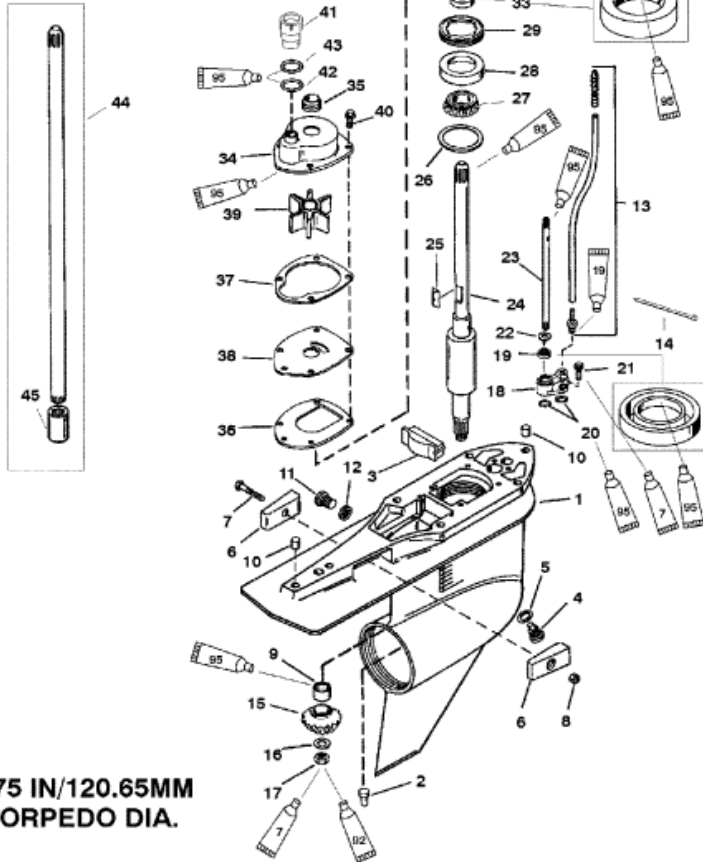


-  Loctite "271" Adhesive Sealant (92-809819)
-  Perfect Seal (92-34227-1)
-  Loctite Primer "N" (92-59327-1)
-  2-4-C With Teflon (92-825407A12)



19092

Parts List

Ref	Class	Part	Description	Qty	Comment	Footnote
1	1623	859399T18	GEAR HOUSING, Basic	1	(BLACK)	
2	17	37972 1	PIN	1		
3		821526	FILLER BLOCK	1		
4	22	67892A 1	FITTING KIT, Plug Fill/Drain	1		
5	12	19183 2	WASHER	1		15
6		826134Q	ANODE	2		
7	10	40003 33	SCREW, (M6 x 40)	1		
8	11	826833 6	NUT, (M6)	1		
9	31	42647A 1	BEARING ASSEMBLY, Roller	1		
10	17	43044	PIN, Dowel (.375 x .625) (Witho	2		
11	10	79953Q 2	SCREW KIT, (.375-16 x .250) Drz	1		
12	12	19183 2	WASHER	1		15
13	22	85822A10	CONNECTOR ASSEMBLY	1	(XL)	
13	22	85822A 6	CONNECTOR	1	(XXL)	
14		56762	CABLE TIE, (4.00 Inches)	1		
15		NSS	NOT SOLD SEPARATE, Pinion Ge			
16	12	92721	WASHER	1		
17	11	35921	NUT, (.625-18)	1		
18	23	815921A 4	BUSHING ASSEMBLY	1		
19	26	816464 1	SEAL, Oil	1		15
20	25	36318	O-RING, (.799)	2		15
21	10	19937 16	SCREW, (M6 x 16)	2		
22	12	77674	WASHER	1		
23		824145	SHIFT SHAFT (LOWER)	1		
24	45	816472	DRIVESHAFT (LOWER)	1		
25	28	43037	KEY	1		18
26	15	42637A 1	SHIM SET	AR		
27	31	36387A 1	BEARING, Roller	1		
28		NSS	NOT SOLD SEPARATE, Cup	1		
29		824519 1	RETAINER	1		
30		807929A 1	CARRIER ASSEMBLY	1		18
31	25	90011	O-RING, (2.175 x .175)	1		15,18
32	26	66302	SEAL, Oil	1		15,18
33	26	66302	SEAL, Oil	1		15,18
34		817275A 1	PUMP ASSEMBLY, Water	1		18
35	26	816575A 2	SEAL KIT	1		15,18
36	27	43033 1	GASKET	1		15,18
37	27	817277 1	GASKET	1		15,18
38		817276 1	FACE PLATE	1		18
39	47	43026T 2	IMPELLER	1		18
40	10	19937 16	SCREW, (M6 x 16)	4		